

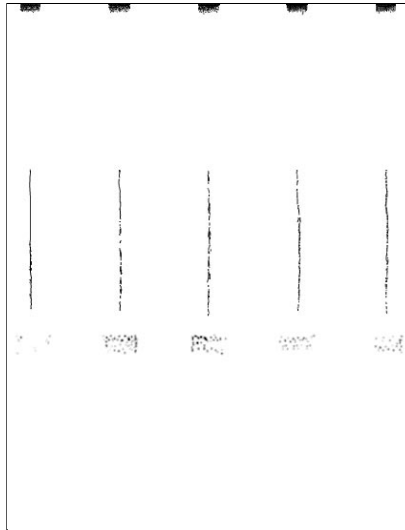
Cleaning for ink smears: paper exit path

Approximate time to complete: 10 minutes

If you have already performed the ink smear cleaning procedures for the internal paper path and the paper feed rollers but problems persist, you should manually clean the paper exit path.

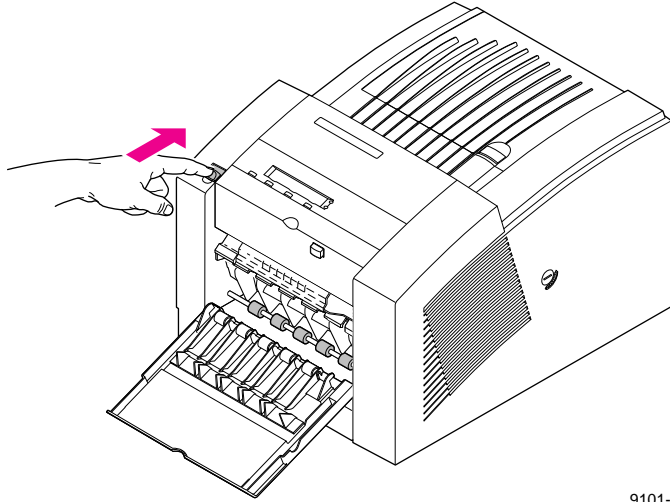
Occasionally stray ink particles become attached to the exit fingers, rollers and guides under the exit cover causing ink streaks or marks on the top edge, front or back of prints. When this occurs, you must clean these parts using both dry and alcohol-soaked swabs.

Sample ink smear: paper exit path



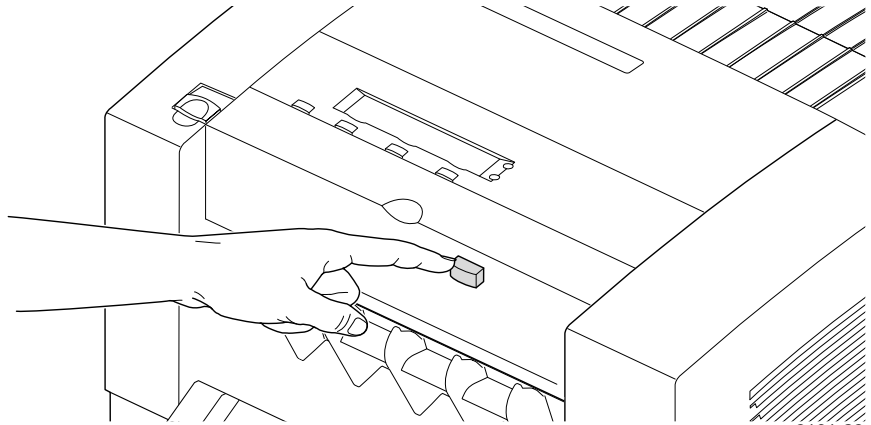
9101-62

1. Open the front cover.



9101-22

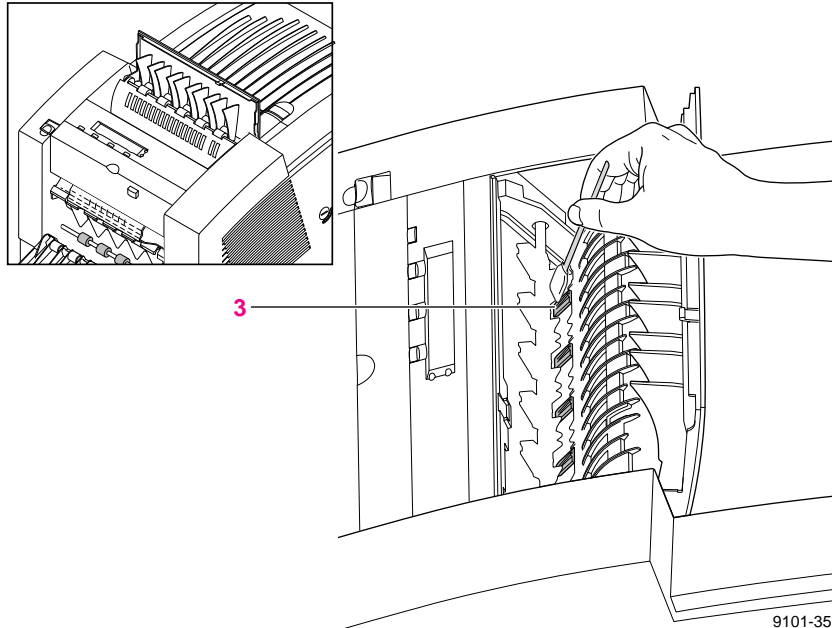
2. Open the exit cover using the blue release button located inside the front cover at the top of the printer.



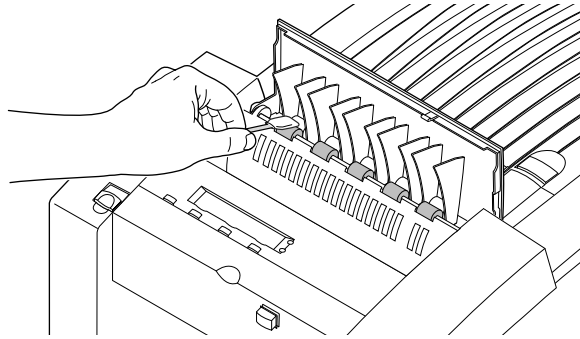
9101-29

3. To clean excess ink particles and drum fluid from the colored exit fingers, gently wipe the top surface of each finger using a dry swab.

Caution *To avoid damaging the print drum and exit fingers, never scrape excess ink with a tool or finger nail. Use a dry swab provided with the cleaning kit.*



4. To clean the rubber exit rollers, place and hold an alcohol-soaked swab against each roller and turn it several times.

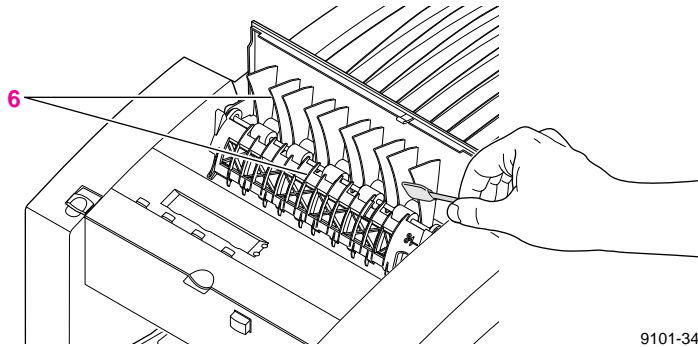


9101-36

Note *You may notice some staining of the exit rollers while performing the cleaning procedure. This is normal and does not indicate additional cleaning is necessary. Simply clean rollers to remove any build-up of ink.*

5. To clean the white plastic exit rollers, place and hold an alcohol-soaked swab on top of each roller while turning the individual roller with your thumb and forefinger.

6. To clean the two sets of ribbed exit guides on the underside of the exit cover, gently wipe the raised ribs using an alcohol-soaked swab.



9101-34

Caution *To avoid damaging the print drum and exit guide, never scrape excess ink with a tool or finger nail. Use only the materials provided with the cleaning kit.*

7. Close the exit cover and the front cover.
8. If the ribbed guides on top of the printer (the output tray) require cleaning, use an alcohol-soaked wipe.